

WESRAIL II

the ultimate in

component railing systems

INSTALLATION GUIDE

*Engineered and Developed
by*

The Staff of

Moultrie Rail Systems

Moultrie Rail Systems

WESRAIL II

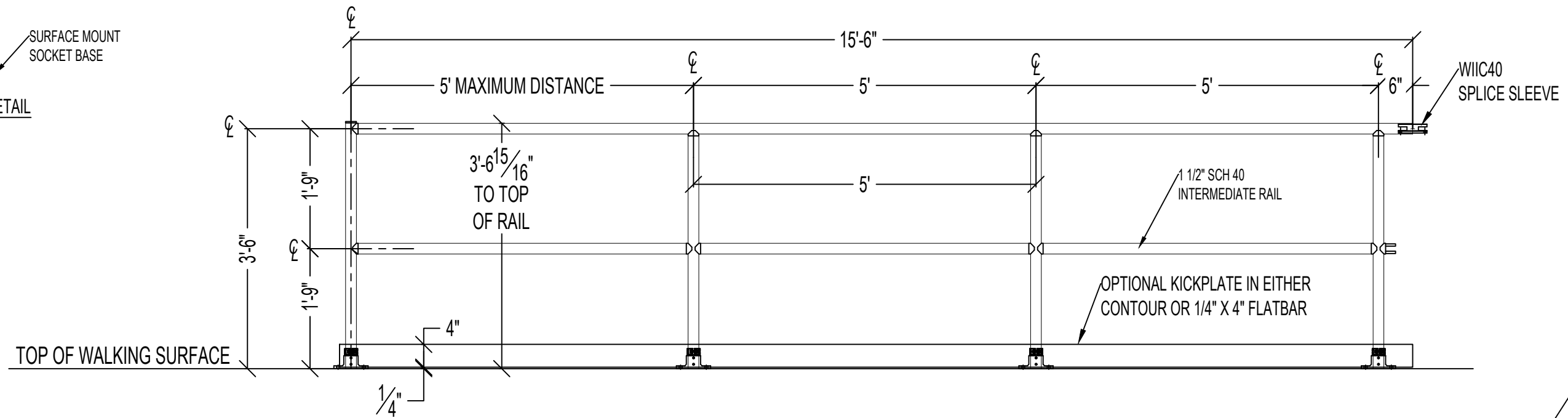
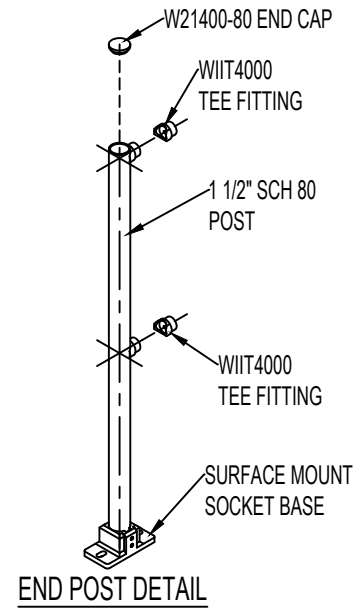
Surface Mount Detail Drawings

Page 1..... SURFACE MOUNT STARTER RAIL MODULE

Page 2.....SURFACE MOUNT STARTER RAIL MODULE WITH RADIUS END POST

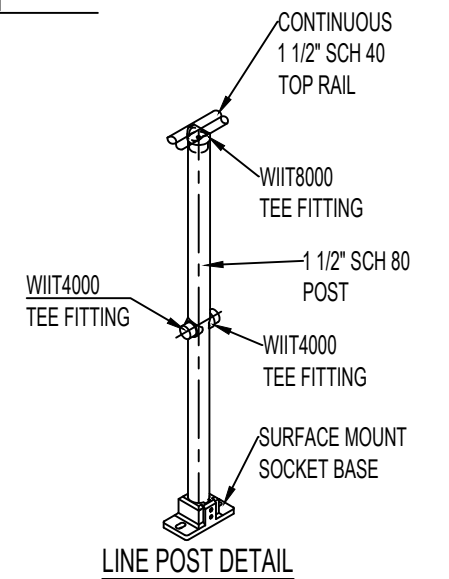
Page 3..... SURFACE MOUNT CONTINUOUS RAIL MODULE

Page 4..... SURFACE MOUNT CORNER RAIL MODULE



OVERALL AND POST DISTANCES VARIES AS REQUIRED
 ALL MEASUREMENTS ARE CENTERLINE TO CENTERLINE

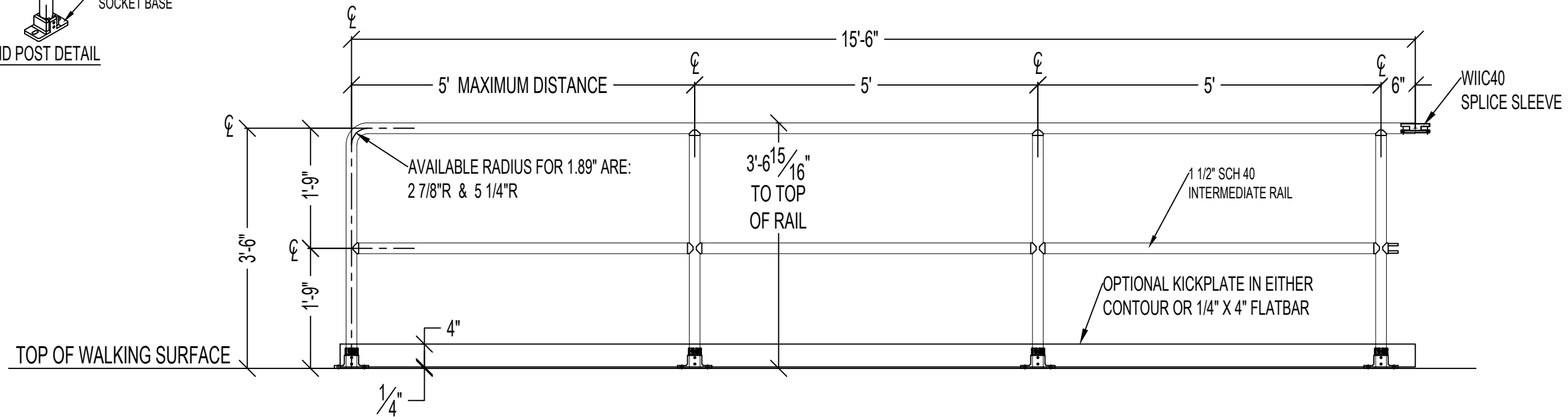
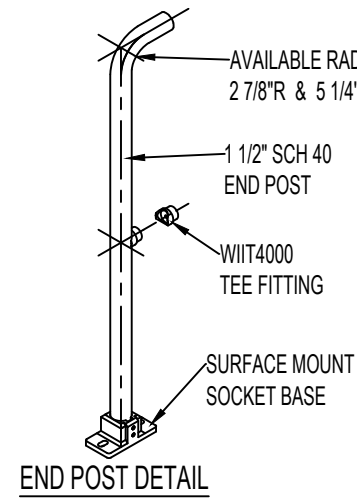
SURFACE MOUNT STARTER RAIL MODULE



REV.	DATE:	BY:	POST MATERIAL:
"A"			1 1/2" SCH. 80 ALUMINUM PIPE (1.89)
"B"			RAIL MATERIAL: 1 1/2" SCH. 40 ALUMINUM PIPE (1.89)
"C"			RAIL MATERIAL: NOT REQ'D
"D"			H/RAIL MATERIAL: 1 1/2" OD ALUMINUM TUBE
			PICKET MATERIAL:

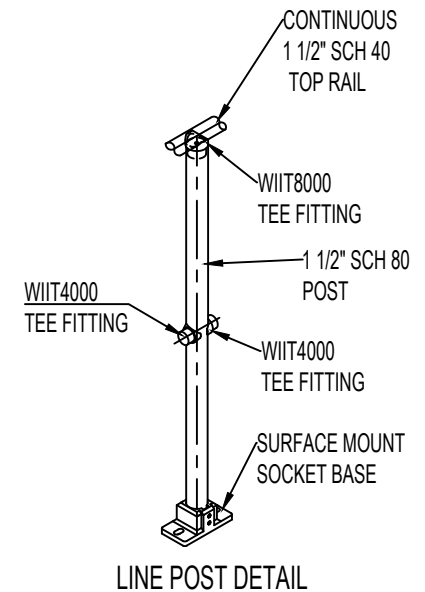
FINISH:	N/A
MOUNTING:	SURFACE MOUNT SHOWN
KICKPLATE:	N/A
FAB. TYPE:	COMPONENT SYSTEM (WESRAIL II)
NOTE:	COMPONENTS FABRICATED FROM ALUM. 6105 - T5

CUSTOMER:	N/A
PROJECT:	TYP WII ASSEMBLED RAIL SECTION DETAIL
P.O. NO.:	N/A
DWG. BY:	GSS
SCALE:	
DATE:	01/20/2017
SHT:	1 OF - 18
FILE NAME:	SURFACE MOUNT STARTER RAIL MODULE



OVERALL AND POST DISTANCES VARIES AS REQUIRED
ALL MEASUREMENTS ARE CENTERLINE TO CENTERLINE

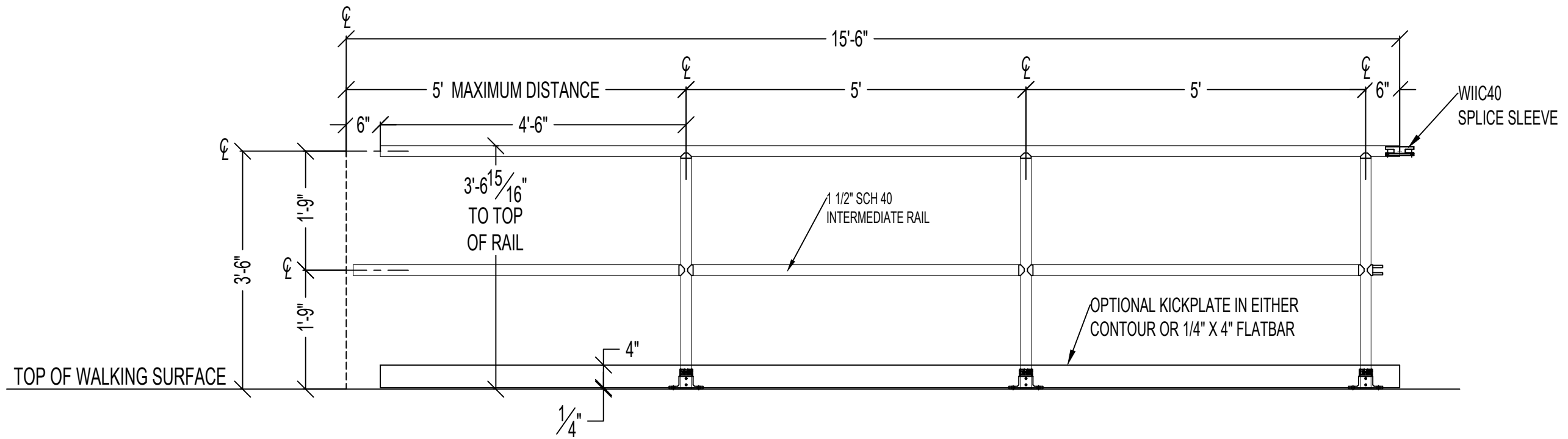
SURFACE MOUNT STARTER RAIL MODULE WITH RADIUS END POST



MOULTRIE RAIL SYSTEM
1403 GA. HIGHWAY 133 SOUTH
MOULTRIE, GEORGIA 31768
PHONE: (800) 841-8674

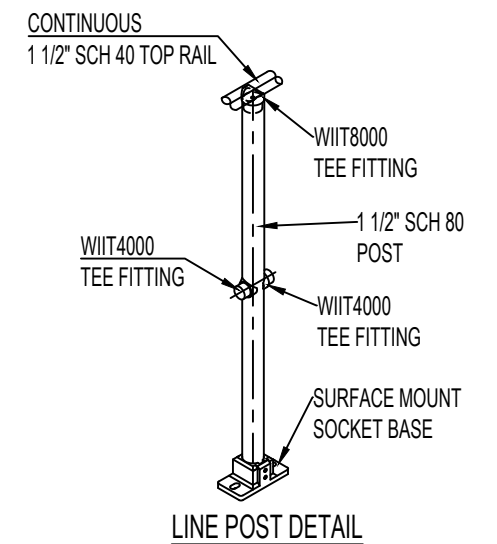
ALL IDEAL DESIGN ARRANGEMENTS AND PLANS INDICATED OR REPRESENTED BY THIS DRAWING ARE OWNED BY AND THE PROPERTY OF THE OFFICE AND WERE CREATED, EVALUATED AND DEVELOPED FOR USE ON AND IN CONNECTION WITH THE SPECIFIED PROJECT. NONE OF SUCH IDEAL DESIGN ARRANGEMENTS OR PLANS SHALL BE USED BY OR DISCLOSED TO ANY PERSON, FIRM OR CORPORATION FOR ANY PURPOSE WHATSOEVER WITHOUT THE WRITTEN PERMISSION OF MOULTRIE MANUFACTURING COMPANY.

REV.	DATE:	BY:	POST MATERIAL:	FINISH:	CUSTOMER:
"A"			1 1/2" SCH. 80 ALUMINUM PIPE (1.89)	N/A	N/A
"B"			RAIL MATERIAL: 1 1/2" SCH. 40 ALUMINUM PIPE (1.89)	MOUNTING: SURFACE MOUNT SHOWN	PROJECT: TYP WII ASSEMBLED RAIL SECTION DETAIL
"C"			RAIL MATERIAL: NOT REQ'D	KICKPLATE: N/A	P.O. NO: N/A DATE: 01/20/2017
"D"			H/RAIL MATERIAL: 1 1/2" OD ALUMINUM TUBE	FAB. TYPE: COMPONENT SYSTEM (WESRAIL II)	DWG. BY: GSS SCALE: SHT: 2 OF - 18
			PICKET MATERIAL:	NOTE: COMPONENTS FABRICATED FROM ALUM. 6105 - T5	FILE NAME: SURFACE MOUNT STARTER RAIL MODULE WITH RADIUS END POST



OVERALL AND POST DISTANCES VARIES AS REQUIRED
 ALL MEASUREMENTS ARE CENTERLINE TO CENTERLINE

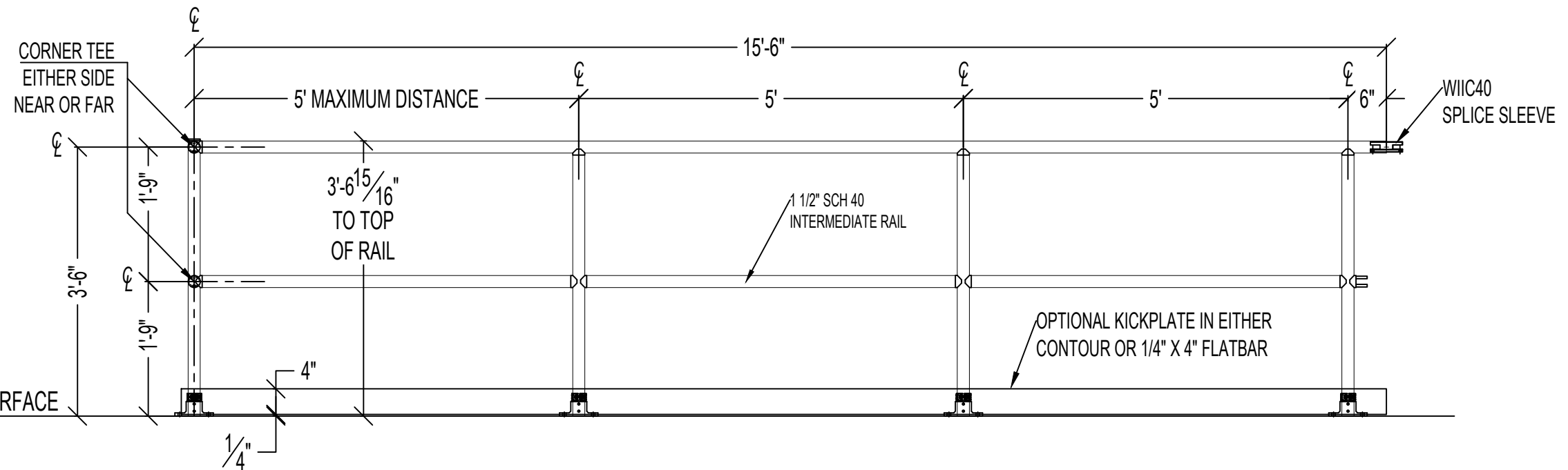
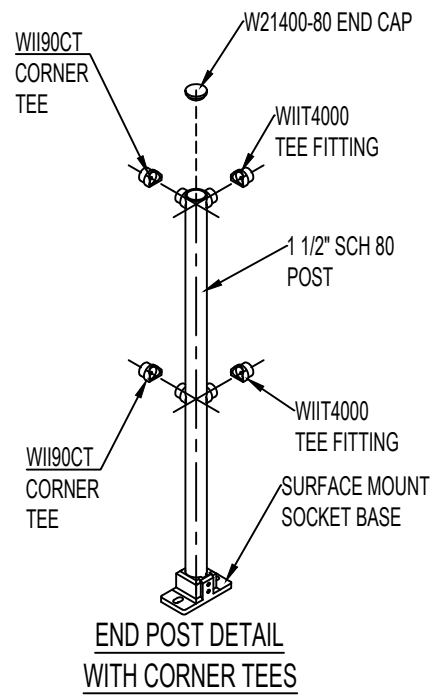
SURFACE MOUNT CONTINUOUS RAIL MODULE



MOULTRIE RAIL SYSTEM
 1403 GA. HIGHWAY 133 SOUTH
 MOULTRIE, GEORGIA 31768
 PHONE: (800) 841-8674

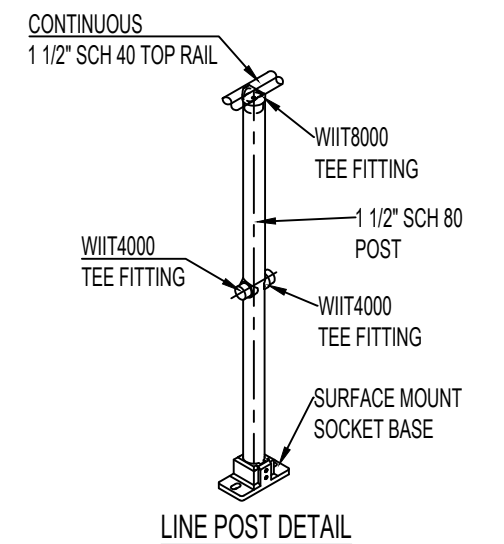
ALL IDEAL DESIGN ARRANGEMENTS AND PLANS INDICATED OR REPRESENTED BY THIS DRAWING ARE OWNED BY AND THE PROPERTY OF THE OFFICE AND WERE CREATED, EVALUATED AND DEVELOPED FOR USE ON AND IN CONNECTION WITH THE SPECIFIED PROJECT. NONE OF SUCH IDEAL DESIGN ARRANGEMENTS OR PLANS SHALL BE USED BY OR DISCLOSED TO ANY PERSON, FIRM OR CORPORATION FOR ANY PURPOSE WHATSOEVER WITHOUT THE WRITTEN PERMISSION OF MOULTRIE MANUFACTURING COMPANY.

REV.	DATE:	BY:	POST MATERIAL:	FINISH:	CUSTOMER:
"A"			1 1/2" SCH. 80 ALUMINUM PIPE (1.89)	N/A	N/A
"B"			RAIL MATERIAL: 1 1/2" SCH. 40 ALUMINUM PIPE (1.89)	MOUNTING: SURFACE MOUNT SHOWN	PROJECT: TYP WII ASSEMBLED RAIL SECTION DETAIL
"C"			RAIL MATERIAL: NOT REQ'D	KICKPLATE: N/A	P.O. NO: N/A DATE: 01/20/2017
"D"			H/RAIL MATERIAL: 1 1/2" OD ALUMINUM TUBE	FAB. TYPE: COMPONENT SYSTEM (WESRAIL II)	DWG. BY: GSS SCALE: SHT: 3 OF - 18
			PICKET MATERIAL:	NOTE: COMPONENTS FABRICATED FROM ALUM. 6105 - T5	FILE NAME: SURFACE MOUNT CONTINUOUS RAIL MODULE



OVERALL AND POST DISTANCES VARIES AS REQUIRED
ALL MEASUREMENTS ARE CENTERLINE TO CENTERLINE

SURFACE MOUNT CORNER RAIL MODULE



WESRAIL
COMPONENT SYSTEM

MOULTRIE RAIL SYSTEM
1403 GA. HIGHWAY 133 SOUTH
MOULTRIE, GEORGIA 31768
PHONE: (800) 841-8674

ALL IDEAL DESIGN ARRANGEMENTS AND PLANS INDICATED OR REPRESENTED BY THIS DRAWING ARE OWNED BY AND THE PROPERTY OF THE OFFICE AND WERE CREATED, EVALUATED AND DEVELOPED FOR USE ON AND IN CONNECTION WITH THE SPECIFIED PROJECT. NONE OF SUCH IDEAL DESIGN ARRANGEMENTS OR PLANS SHALL BE USED BY OR DISCLOSED TO ANY PERSON, FIRM OR CORPORATION FOR ANY PURPOSE WHATSOEVER WITHOUT THE WRITTEN PERMISSION OF MOULTRIE MANUFACTURING COMPANY.

REV.	DATE:	BY:	POST MATERIAL:	RAIL MATERIAL:	FINISH:
"A"			1 1/2" SCH. 80 ALUMINUM PIPE (1.89)	1 1/2" SCH. 40 ALUMINUM PIPE (1.89)	N/A
"B"				NOT REQ'D	
"C"			1 1/2" OD ALUMINUM TUBE		
"D"					

MOUNTING:	SURFACE MOUNT SHOWN
KICKPLATE:	N/A
FAB. TYPE:	COMPONENT SYSTEM (WESRAIL II)
NOTE:	COMPONENTS FABRICATED FROM ALUM. 6105 - T5

CUSTOMER:	N/A
PROJECT:	TYP WII ASSEMBLED RAIL SECTION DETAIL
P.O. NO.:	N/A
DATE:	01/20/2017
DWG. BY:	GSS
SCALE:	
SHT:	4 OF 18
FILE NAME:	SURFACE MOUNT CORNER RAIL MODULE

Moultrie Rail Systems

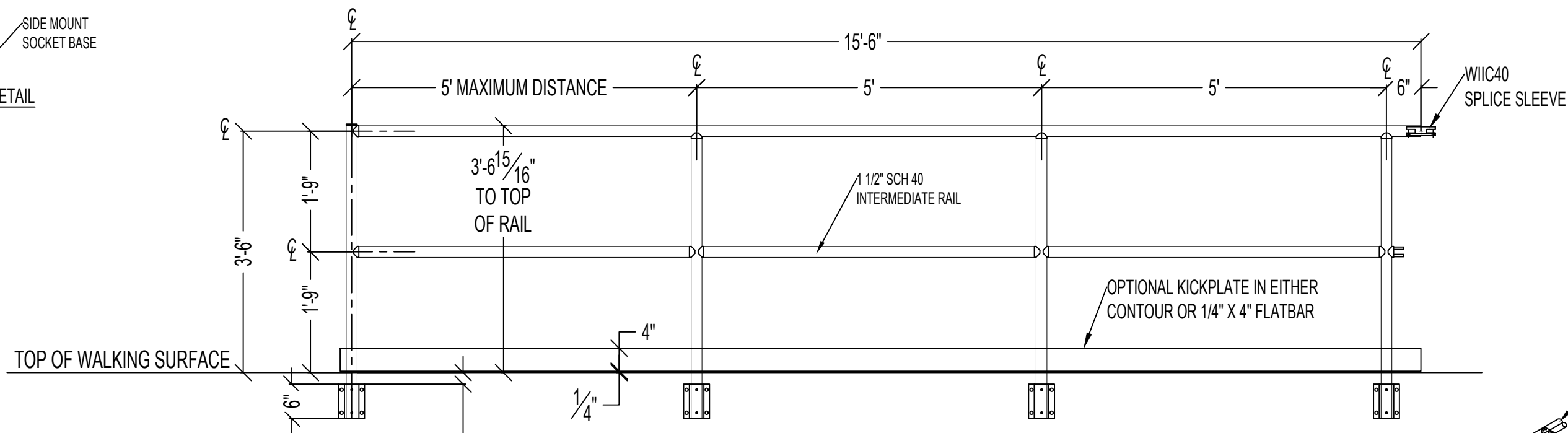
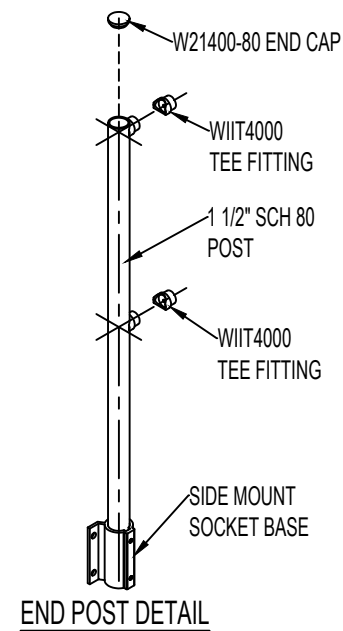
WESRAIL II *Surface Mount Detail Drawings*

Page 5..... SIDE MOUNT STARTER RAIL MODULE

Page 6.....SIDE MOUNT STARTER RAIL MODULE WITH RADIUS END POST

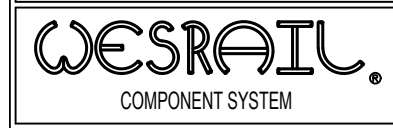
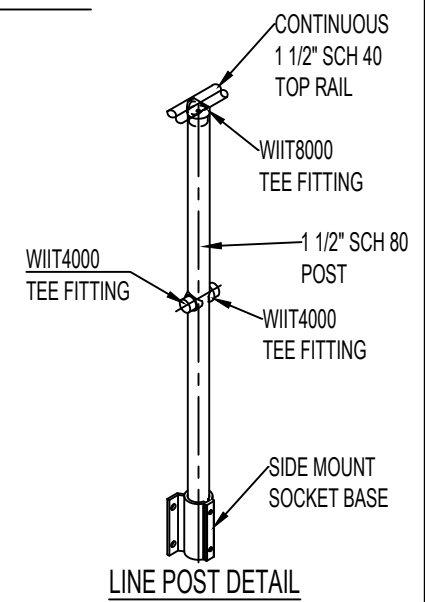
Page 7..... SUIDE MOUNT CONTINUOUS RAIL MODULE

Page 8..... SIDE MOUNT CORNER RAIL MODULE



OVERALL AND POST DISTANCES VARIES AS REQUIRED
 ALL MEASUREMENTS ARE CENTERLINE TO CENTERLINE

SIDE MOUNT STARTER RAIL MODULE



MOULTRIE RAIL SYSTEM
 1403 GA. HIGHWAY 133 SOUTH
 MOULTRIE, GEORGIA 31768
 PHONE: (800) 841-8674

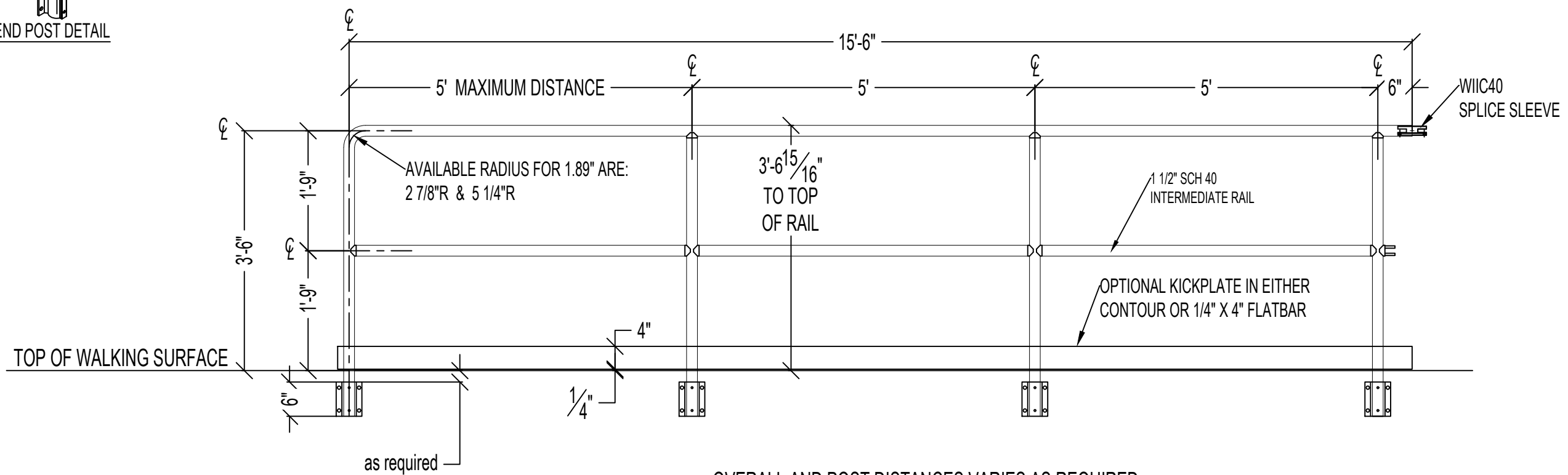
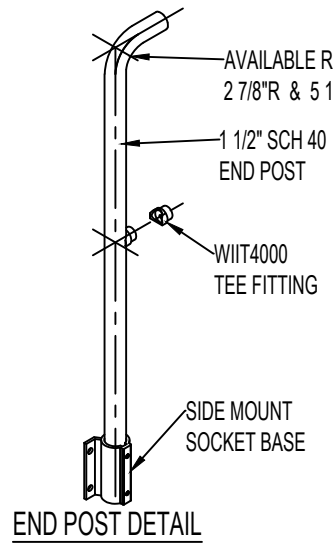
ALL IDEAL DESIGN ARRANGEMENTS AND PLANS INDICATED OR REPRESENTED BY THIS DRAWING ARE OWNED BY AND THE PROPERTY OF THE OFFICE AND WERE CREATED, EVALUATED AND DEVELOPED FOR USE ON AND IN CONNECTION WITH THE SPECIFIED PROJECT. NONE OF SUCH IDEAL DESIGN ARRANGEMENTS OR PLANS SHALL BE USED BY OR DISCLOSED TO ANY PERSON, FIRM OR CORPORATION FOR ANY PURPOSE WHATSOEVER WITHOUT THE WRITTEN PERMISSION OF MOULTRIE MANUFACTURING COMPANY.

REV.	DATE:	BY:
"A"		
"B"		
"C"		
"D"		

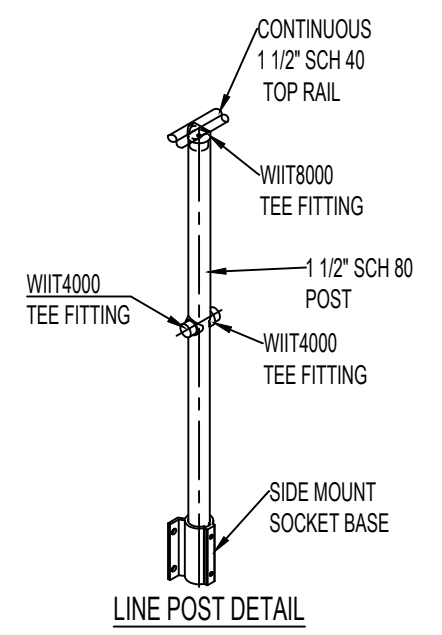
POST MATERIAL:	1 1/2" SCH. 80 ALUMINUM PIPE (1.89)
RAIL MATERIAL:	1 1/2" SCH. 40 ALUMINUM PIPE (1.89)
RAIL MATERIAL:	NOT REQ'D
H/RAIL MATERIAL:	1 1/2" OD ALUMINUM TUBE
PICKET MATERIAL:	

FINISH:	N/A
MOUNTING:	SIDE MOUNT SHOWN
KICKPLATE:	N/A
FAB. TYPE:	COMPONENT SYSTEM (WESRAIL II)
NOTE:	COMPONENTS FABRICATED FROM ALUM. 6105 - T5

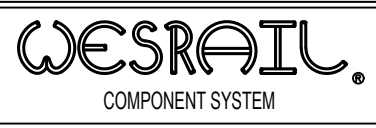
CUSTOMER:	N/A
PROJECT:	TYP WII ASSEMBLED RAIL SECTION DETAIL
P.O. NO.:	N/A
DWG. BY:	GSS
SCALE:	
DATE:	01/20/2017
SHT:	5 OF - 18
FILE NAME:	SIDE MOUNT STARTER RAIL MODULE



OVERALL AND POST DISTANCES VARIES AS REQUIRED
ALL MEASUREMENTS ARE CENTERLINE TO CENTERLINE



SIDE MOUNT STARTER RAIL MODULE WITH RADIUS END POST



MOULTRIE RAIL SYSTEM
1403 GA. HIGHWAY 133 SOUTH
MOULTRIE, GEORGIA 31768
PHONE: (800) 841-8674

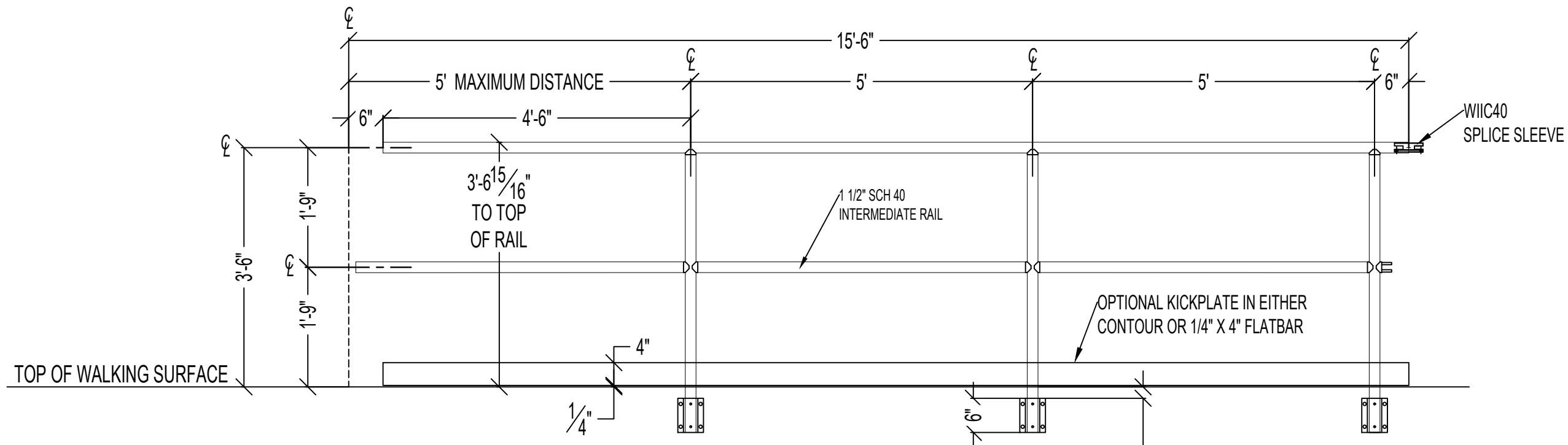
ALL IDEAL DESIGN ARRANGEMENTS AND PLANS INDICATED OR REPRESENTED BY THIS DRAWING ARE OWNED BY AND THE PROPERTY OF THE OFFICE AND WERE CREATED, EVALUATED AND DEVELOPED FOR USE ON AND IN CONNECTION WITH THE SPECIFIED PROJECT. NONE OF SUCH IDEAL DESIGN ARRANGEMENTS OR PLANS SHALL BE USED BY OR DISCLOSED TO ANY PERSON, FIRM OR CORPORATION FOR ANY PURPOSE WHATSOEVER WITHOUT THE WRITTEN PERMISSION OF MOULTRIE MANUFACTURING COMPANY.

REV.	DATE:	BY:
"A"		
"B"		
"C"		
"D"		

POST MATERIAL:	1 1/2" SCH. 80 ALUMINUM PIPE (1.89)
RAIL MATERIAL:	1 1/2" SCH. 40 ALUMINUM PIPE (1.89)
RAIL MATERIAL:	NOT REQ'D
H/RAIL MATERIAL:	1 1/2" OD ALUMINUM TUBE
PICKET MATERIAL:	

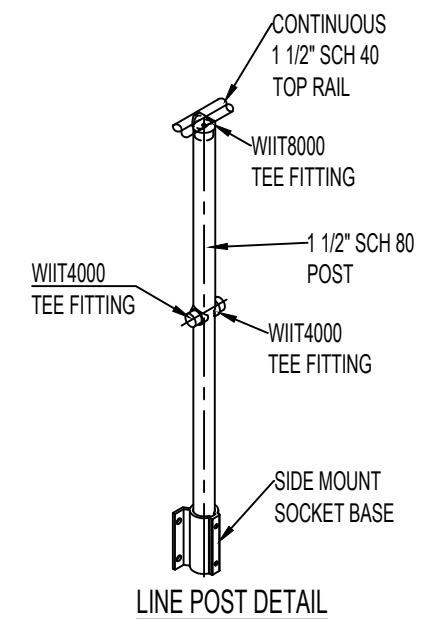
FINISH:	N/A
MOUNTING:	SIDE MOUNT SHOWN
KICKPLATE:	N/A
FAB. TYPE:	COMPONENT SYSTEM (WESRAIL II)
NOTE:	COMPONENTS FABRICATED FROM ALUM. 6105 - T5

CUSTOMER:	N/A
PROJECT:	TYP WII ASSEMBLED RAIL SECTION DETAIL
P.O. NO.:	N/A
DWG. BY:	GSS
SCALE:	
DATE:	01/20/2017
SHT:	6 OF - 18
FILE NAME:	SIDE MOUNT STARTER RAIL MODULE WITH RADIUS END POST



OVERALL AND POST DISTANCES VARIES AS REQUIRED
 ALL MEASUREMENTS ARE CENTERLINE TO CENTERLINE

SIDE MOUNT CONTINUOUS RAIL MODULE



WESRAIL
 COMPONENT SYSTEM

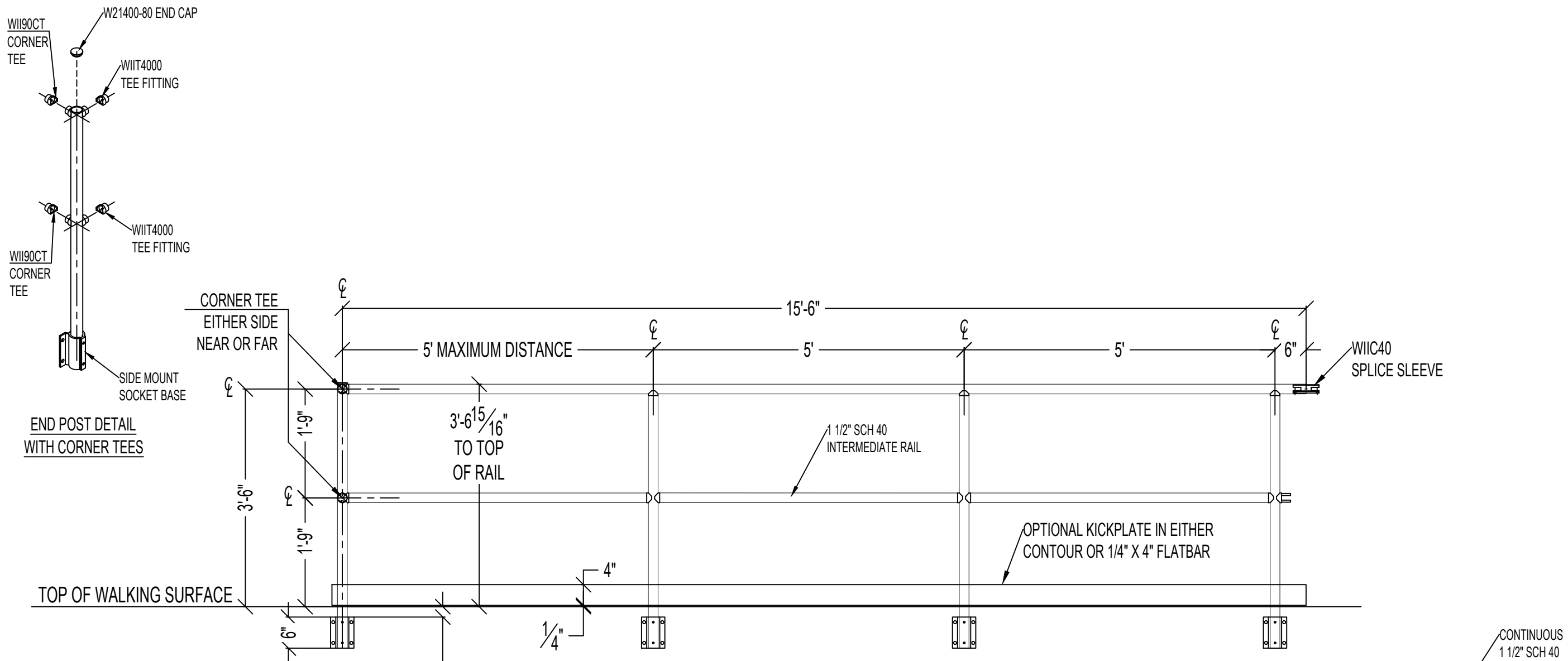
MOULTRIE RAIL SYSTEM
 1403 GA. HIGHWAY 133 SOUTH
 MOULTRIE, GEORGIA 31768
 PHONE: (800) 841-8674

ALL IDEAL DESIGN ARRANGEMENTS AND PLANS INDICATED OR REPRESENTED BY THIS DRAWING ARE OWNED BY AND THE PROPERTY OF THE OFFICE AND WERE CREATED, EVALUATED AND DEVELOPED FOR USE ON AND IN CONNECTION WITH THE SPECIFIED PROJECT. NONE OF SUCH IDEAL DESIGN ARRANGEMENTS OR PLANS SHALL BE USED BY OR DISCLOSED TO ANY PERSON, FIRM OR CORPORATION FOR ANY PURPOSE WHATSOEVER WITHOUT THE WRITTEN PERMISSION OF MOULTRIE MANUFACTURING COMPANY.

REV.	DATE:	BY:	POST MATERIAL:	FINISH:
"A"			1 1/2" SCH. 80 ALUMINUM PIPE (1.89)	N/A
"B"			RAIL MATERIAL: 1 1/2" SCH. 40 ALUMINUM PIPE (1.89)	MOUNTING: SIDE MOUNT SHOWN
"C"			RAIL MATERIAL: NOT REQ'D	KICKPLATE: N/A
"D"			H/RAIL MATERIAL: 1 1/2" OD ALUMINUM TUBE	FAB. TYPE: COMPONENT SYSTEM (WESRAIL II)
			PICKET MATERIAL:	NOTE: COMPONENTS FABRICATED FROM ALUM. 6105 - T5

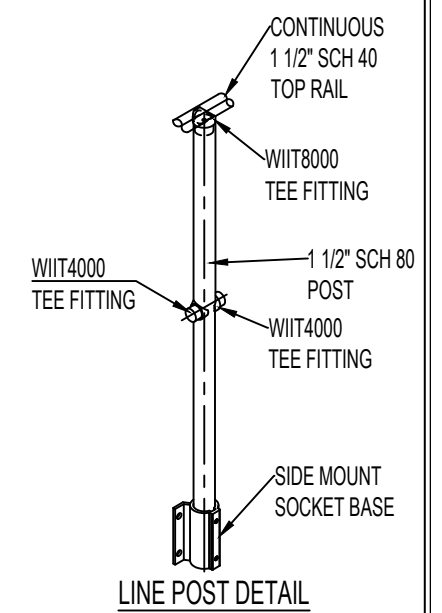
CUSTOMER:	N/A
PROJECT:	TYP WII ASSEMBLED RAIL SECTION DETAIL
P.O. NO.:	N/A
DWG. BY:	GSS
FILE NAME:	SIDE MOUNT CONTINUOUS RAIL MODULE

DATE:	01/20/2017
SCALE:	
SHT:	7 OF - 18



OVERALL AND POST DISTANCES VARIES AS REQUIRED
 ALL MEASUREMENTS ARE CENTERLINE TO CENTERLINE

SIDE MOUNT CORNER RAIL MODULE



MOULTRIE RAIL SYSTEM
 1403 GA. HIGHWAY 133 SOUTH
 MOULTRIE, GEORGIA 31768
 PHONE: (800) 841-8674

ALL IDEAL DESIGN ARRANGEMENTS AND PLANS INDICATED OR REPRESENTED BY THIS DRAWING ARE OWNED BY AND THE PROPERTY OF THE OFFICE AND WERE CREATED, EVALUATED AND DEVELOPED FOR USE ON AND IN CONNECTION WITH THE SPECIFIED PROJECT. NONE OF SUCH IDEAL DESIGN ARRANGEMENTS OR PLANS SHALL BE USED BY OR DISCLOSED TO ANY PERSON, FIRM OR CORPORATION FOR ANY PURPOSE WHATSOEVER WITHOUT THE WRITTEN PERMISSION OF MOULTRIE MANUFACTURING COMPANY.

REV.	DATE:	BY:
"A"		
"B"		
"C"		
"D"		

POST MATERIAL:	1 1/2" SCH. 80 ALUMINUM PIPE (1.89)
RAIL MATERIAL:	1 1/2" SCH. 40 ALUMINUM PIPE (1.89)
RAIL MATERIAL:	NOT REQ'D
H/RAIL MATERIAL:	1 1/2" OD ALUMINUM TUBE
PICKET MATERIAL:	

FINISH:	N/A
MOUNTING:	SIDE MOUNT SHOWN
KICKPLATE:	N/A
FAB. TYPE:	COMPONENT SYSTEM (WESRAIL II)
NOTE:	COMPONENTS FABRICATED FROM ALUM. 6105 - T5

CUSTOMER:	N/A
PROJECT:	TYP WII ASSEMBLED RAIL SECTION DETAIL
P.O. NO.:	N/A
DATE:	01/20/2017
DWG. BY:	GSS
SCALE:	
SHT:	8 OF - 18
FILE NAME:	SIDE MOUNT CORNER RAIL MODULE

Moultrie Rail Systems

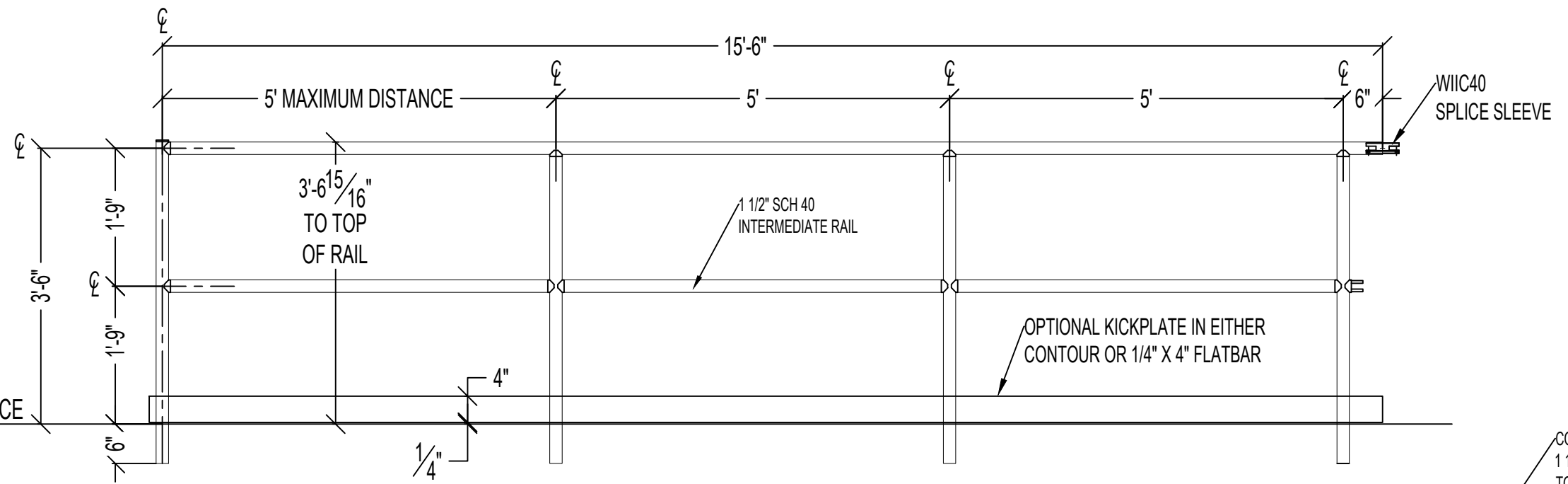
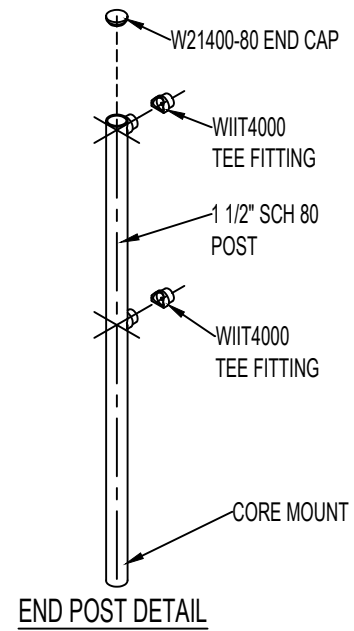
WESRAIL II *Core Mount Detail Drawings*

Page 9..... CORE MOUNT STARTER RAIL MODULE

Page 10.....CORE MOUNT STARTER RAIL MODULE WITH RADIUS END POST

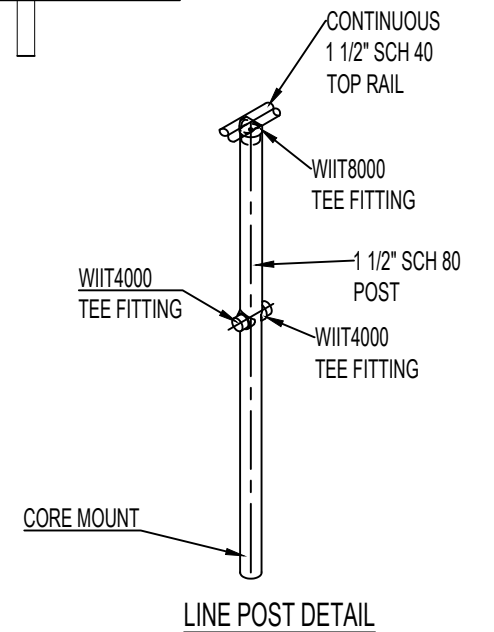
Page 11..... CORE MOUNT CONTINUOUS RAIL MODULE

Page 12..... CORE MOUNT CORNER RAIL MODULE



OVERALL AND POST DISTANCES VARIES AS REQUIRED
ALL MEASUREMENTS ARE CENTERLINE TO CENTERLINE

CORE MOUNT STARTER RAIL MODULE



WESRAIL
COMPONENT SYSTEM

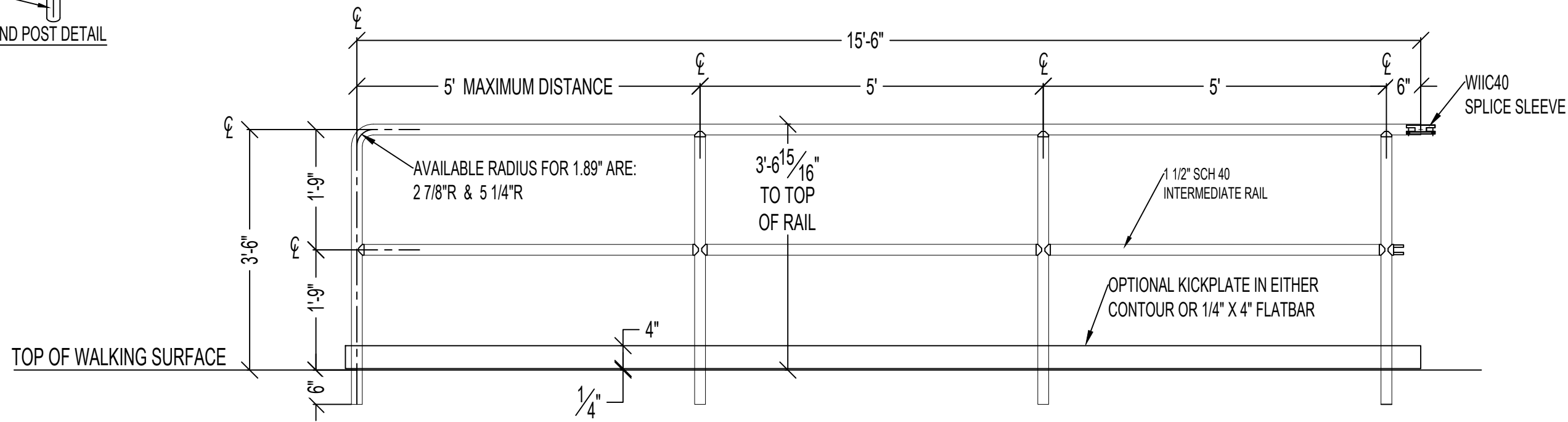
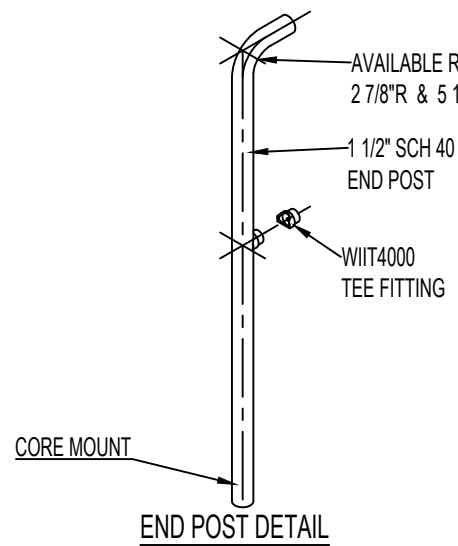
MOULTRIE RAIL SYSTEM
1403 GA. HIGHWAY 133 SOUTH
MOULTRIE, GEORGIA 31768
PHONE: (800) 841-8674

ALL IDEAL DESIGN ARRANGEMENTS AND PLANS INDICATED OR REPRESENTED BY THIS DRAWING ARE OWNED BY AND THE PROPERTY OF THIS OFFICE AND WERE CREATED, EVALUATED AND DEVELOPED FOR USE ON AND IN CONNECTION WITH THE SPECIFIED PROJECT. NONE OF SUCH IDEAL DESIGN ARRANGEMENTS OR PLANS SHALL BE USED BY OR DISCLOSED TO ANY PERSON, FIRM OR CORPORATION FOR ANY PURPOSE WHATSOEVER WITHOUT THE WRITTEN PERMISSION OF MOULTRIE MANUFACTURING COMPANY.

REV.	DATE:	BY:	POST MATERIAL:	1 1/2" SCH. 80 ALUMINUM PIPE (1.89)
"A"			RAIL MATERIAL:	1 1/2" SCH. 40 ALUMINUM PIPE (1.89)
"B"			RAIL MATERIAL:	NOT REQ'D
"C"			H/RAIL MATERIAL:	1 1/2" OD ALUMINUM TUBE
"D"			PICKET MATERIAL:	

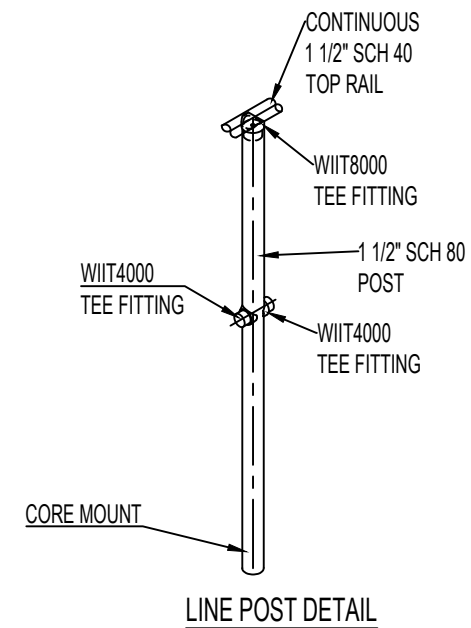
FINISH:	N/A
MOUNTING:	CORE MOUNT SHOWN
KICKPLATE:	N/A
FAB. TYPE:	COMPONENT SYSTEM (WESRAIL II)
NOTE:	COMPONENTS FABRICATED FROM ALUM. 6105 - T5

CUSTOMER:	N/A
PROJECT:	TYP WII ASSEMBLED RAIL SECTION DETAIL
P.O. NO.:	N/A
DATE:	01/20/2017
DWG. BY:	GSS
SCALE:	
SHT:	9 OF - 18
FILE NAME:	CORE MOUNT STARTER RAIL MODULE



OVERALL AND POST DISTANCES VARIES AS REQUIRED
 ALL MEASUREMENTS ARE CENTERLINE TO CENTERLINE

CORE MOUNT STARTER RAIL MODULE WITH RADIUS END POST



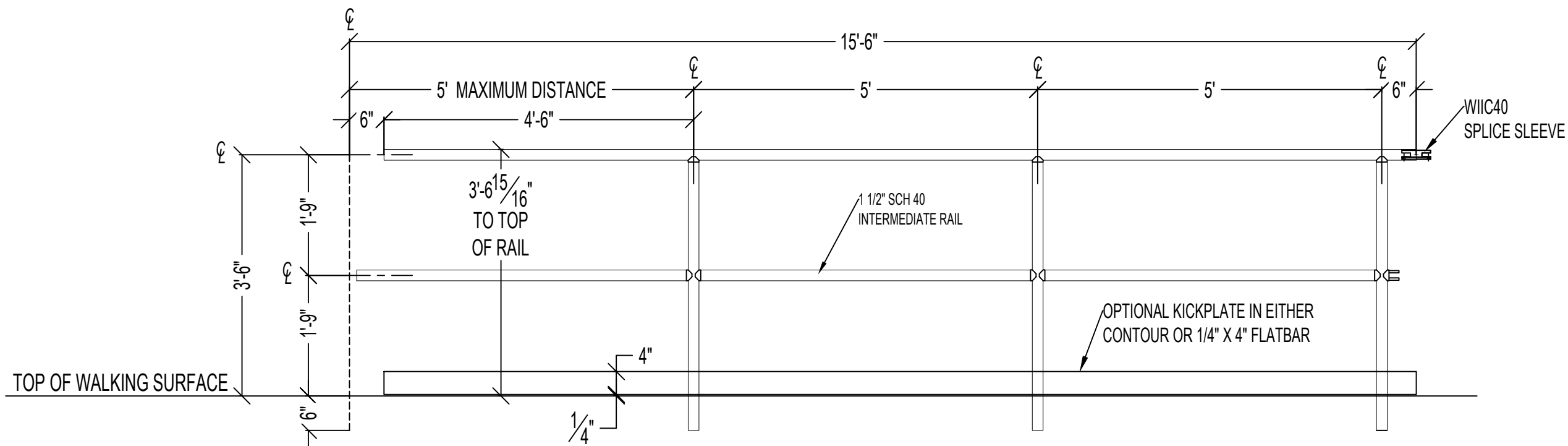
MOULTRIE RAIL SYSTEM
 1403 GA. HIGHWAY 133 SOUTH
 MOULTRIE, GEORGIA 31768
 PHONE: (800) 841-8674

ALL IDEAL DESIGN ARRANGEMENTS AND PLANS INDICATED OR REPRESENTED BY THIS DRAWING ARE OWNED BY AND THE PROPERTY OF THE OFFICE AND WERE CREATED, EVALUATED AND DEVELOPED FOR USE ON AND IN CONNECTION WITH THE SPECIFIED PROJECT. NONE OF SUCH IDEAL DESIGN ARRANGEMENTS OR PLANS SHALL BE USED BY OR DISCLOSED TO ANY PERSON, FIRM OR CORPORATION FOR ANY PURPOSE WHATSOEVER WITHOUT THE WRITTEN PERMISSION OF MOULTRIE MANUFACTURING COMPANY.

REV.	DATE:	BY:	POST MATERIAL:
"A"			1 1/2" SCH. 80 ALUMINUM PIPE (1.89)
"B"			RAIL MATERIAL: 1 1/2" SCH. 40 ALUMINUM PIPE (1.89)
"C"			RAIL MATERIAL: NOT REQ'D
"D"			H/RAIL MATERIAL: 1 1/2" OD ALUMINUM TUBE
			PICKET MATERIAL:

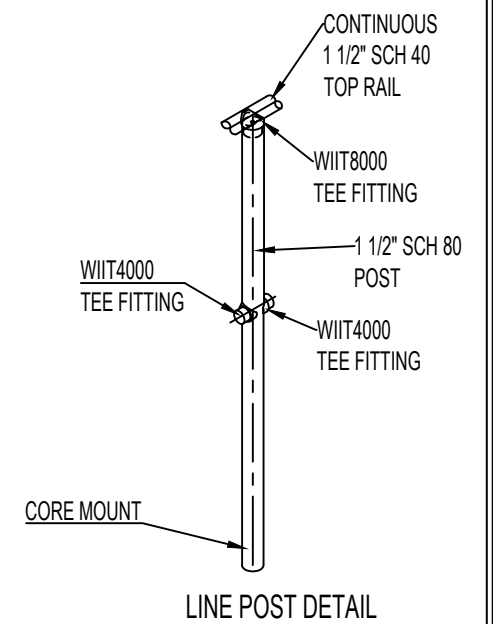
FINISH:	N/A
MOUNTING:	CORE MOUNT SHOWN
KICKPLATE:	N/A
FAB. TYPE:	COMPONENT SYSTEM (WESRAIL II)
NOTE:	COMPONENTS FABRICATED FROM ALUM. 6105 - T5

CUSTOMER:	N/A
PROJECT:	TYP WII ASSEMBLED RAIL SECTION DETAIL
P.O. NO.:	N/A
DATE:	01/20/2017
DWG. BY:	GSS
SCALE:	
SHT:	10 OF - 18
FILE NAME:	CORE MOUNT STARTER RAIL MODULE WITH RADIUS END POST



OVERALL AND POST DISTANCES VARIES AS REQUIRED
ALL MEASUREMENTS ARE CENTERLINE TO CENTERLINE

CORE MOUNT CONTINUOUS RAIL MODULE



WESRAIL
COMPONENT SYSTEM

MOULTRIE RAIL SYSTEM
1403 GA. HIGHWAY 133 SOUTH
MOULTRIE, GEORGIA 31768
PHONE: (800) 841-8674

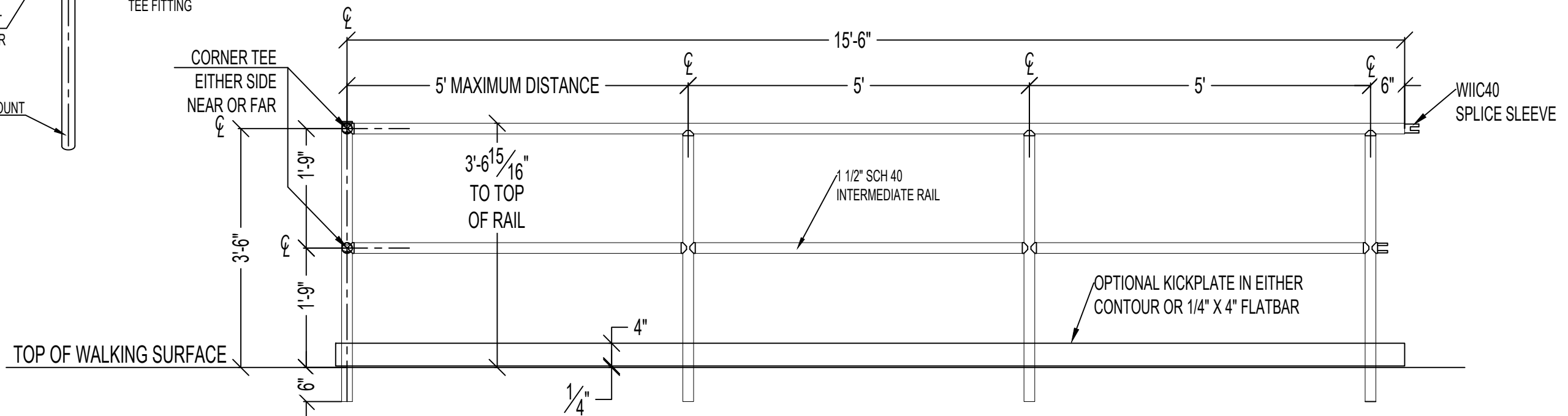
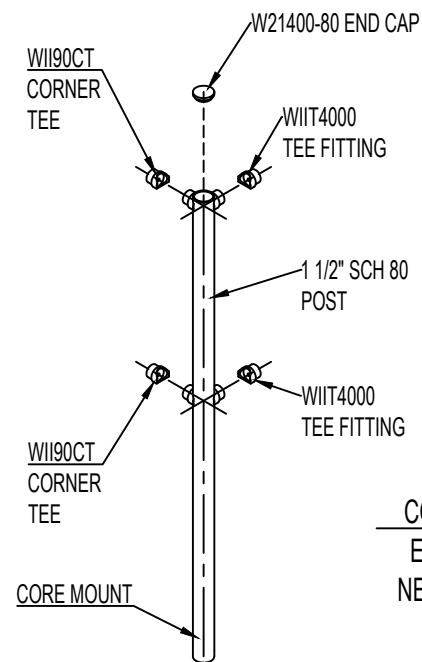
ALL IDEAL DESIGN ARRANGEMENTS AND PLANS INDICATED OR REPRESENTED BY THIS DRAWING ARE OWNED BY AND THE PROPERTY OF THE OFFICE AND WERE CREATED, EVALUATED AND DEVELOPED FOR USE ON AND IN CONNECTION WITH THE SPECIFIED PROJECT. NONE OF SUCH IDEAL DESIGN ARRANGEMENTS OR PLANS SHALL BE USED BY OR DISCLOSED TO ANY PERSON, FIRM OR CORPORATION FOR ANY PURPOSE WHATSOEVER WITHOUT THE WRITTEN PERMISSION OF MOULTRIE MANUFACTURING COMPANY.

REV.	DATE:	BY:
"A"		
"B"		
"C"		
"D"		

POST MATERIAL:	1 1/2" SCH. 80 ALUMINUM PIPE (1.89)
RAIL MATERIAL:	1 1/2" SCH. 40 ALUMINUM PIPE (1.89)
RAIL MATERIAL:	NOT REQ'D
H/RAIL MATERIAL:	1 1/2" OD ALUMINUM TUBE
PICKET MATERIAL:	

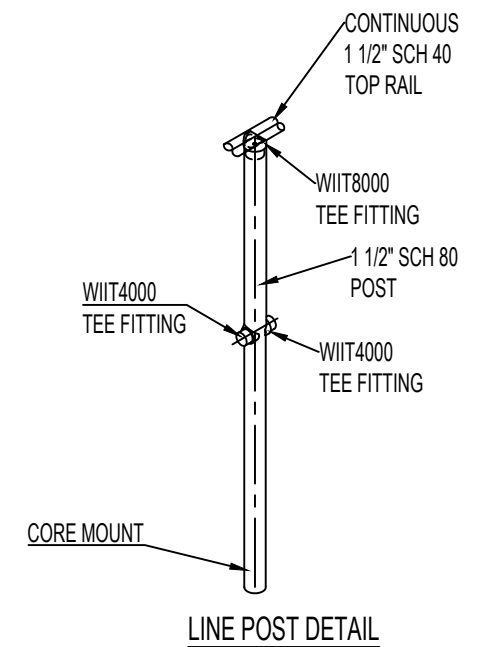
FINISH:	N/A
MOUNTING:	CORE MOUNT SHOWN
KICKPLATE:	N/A
FAB. TYPE:	COMPONENT SYSTEM (WESRAIL II)
NOTE:	COMPONENTS FABRICATED FROM ALUM. 6105 - T5

CUSTOMER:	N/A
PROJECT:	TYP WII ASSEMBLED RAIL SECTION DETAIL
P.O. NO.:	N/A
DATE:	01/20/2017
DWG. BY:	GSS
SCALE:	
SHT:	11 OF - 18
FILE NAME:	CORE MOUNT CONTINUOUS RAIL MODULE



OVERALL AND POST DISTANCES VARIES AS REQUIRED
ALL MEASUREMENTS ARE CENTERLINE TO CENTERLINE

CORE MOUNT CORNER RAIL MODULE



WESRAIL
COMPONENT SYSTEM

MOULTRIE RAIL SYSTEM
1403 GA. HIGHWAY 133 SOUTH
MOULTRIE, GEORGIA 31768
PHONE: (800) 841-8674

ALL IDEAL DESIGN ARRANGEMENTS AND PLANS INDICATED OR REPRESENTED BY THIS DRAWING ARE OWNED BY AND THE PROPERTY OF THE OFFICE AND WERE CREATED, EVALUATED AND DEVELOPED FOR USE ON AND IN CONNECTION WITH THE SPECIFIED PROJECT. NONE OF SUCH IDEAL DESIGN ARRANGEMENTS OR PLANS SHALL BE USED BY OR DISCLOSED TO ANY PERSON, FIRM OR CORPORATION FOR ANY PURPOSE WHATSOEVER WITHOUT THE WRITTEN PERMISSION OF MOULTRIE MANUFACTURING COMPANY.

REV.	DATE:	BY:	POST MATERIAL:	FINISH:	CUSTOMER:
"A"			1 1/2" SCH. 80 ALUMINUM PIPE (1.89)	N/A	N/A
"B"			RAIL MATERIAL: 1 1/2" SCH. 40 ALUMINUM PIPE (1.89)	MOUNTING: CORE MOUNT SHOWN	PROJECT: TYP WII ASSEMBLED RAIL SECTION DETAIL
"C"			RAIL MATERIAL: NOT REQ'D	KICKPLATE: N/A	P.O. NO: N/A DATE: 01/20/2017
"D"			H/RAIL MATERIAL: 1 1/2" OD ALUMINUM TUBE	FAB. TYPE: COMPONENT SYSTEM (WESRAIL II)	DWG. BY: GSS SCALE: SHT: 12 OF - 18
			PICKET MATERIAL:	NOTE: COMPONENTS FABRICATED FROM ALUM. 6105 - T5	FILE NAME: CORE MOUNT CORNER RAIL MODULE

Moultrie Rail Systems

WESRAIL II

Miscellaneous Detail Drawings

Page 13..... LINE POST AND RAIL INTERSECTION

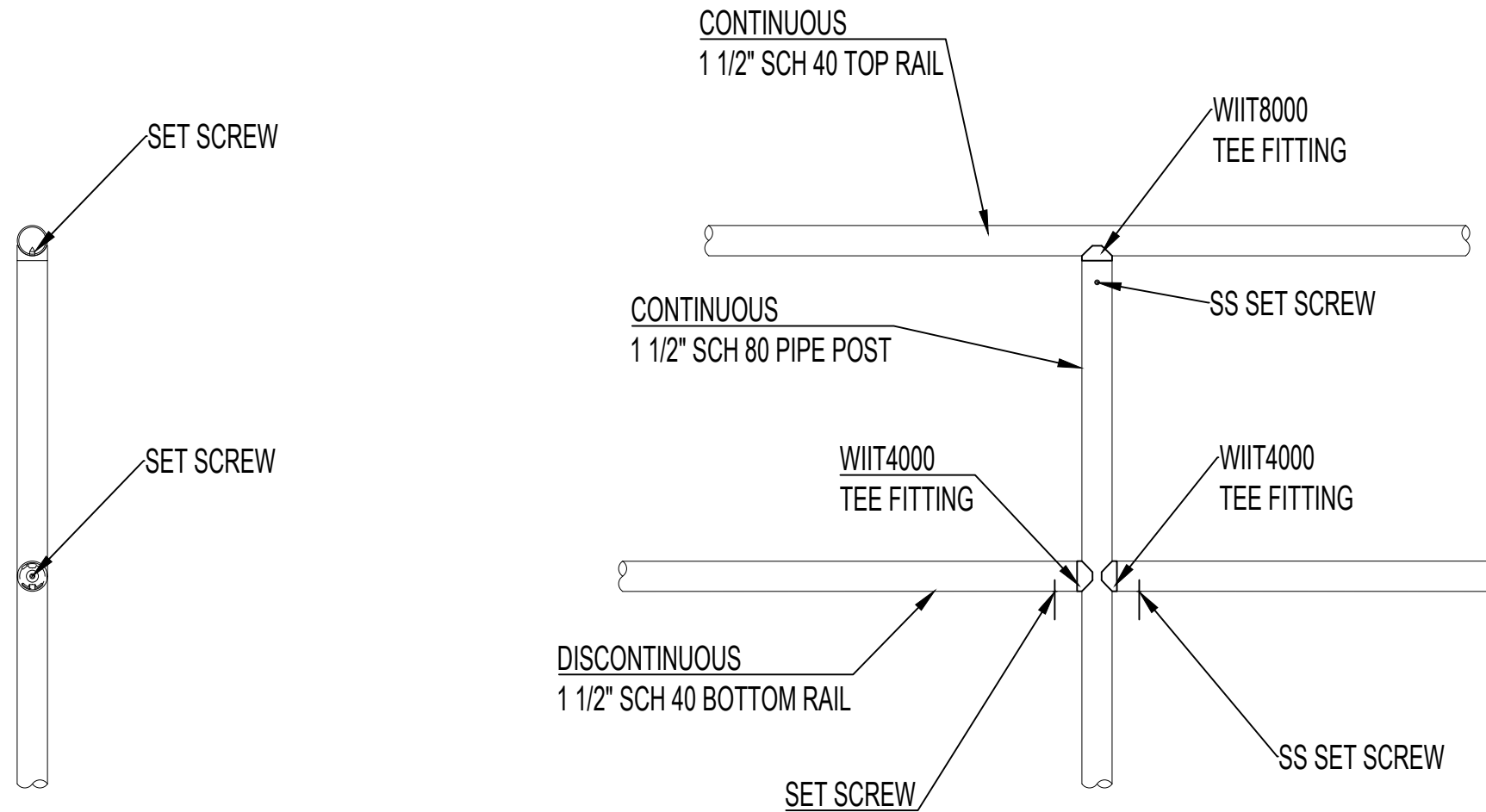
Page 14.....END POST AND RAIL INTERSECTION

Page 15.....CORNER POST AND RAIL INTERSECTION

Page 16.....STAIR LOWER & UPPER POST INTERSECTION

Page 17.....VARIOUS ELBOW BENDS

Page 18..... RADIAL RAILING DETAILS



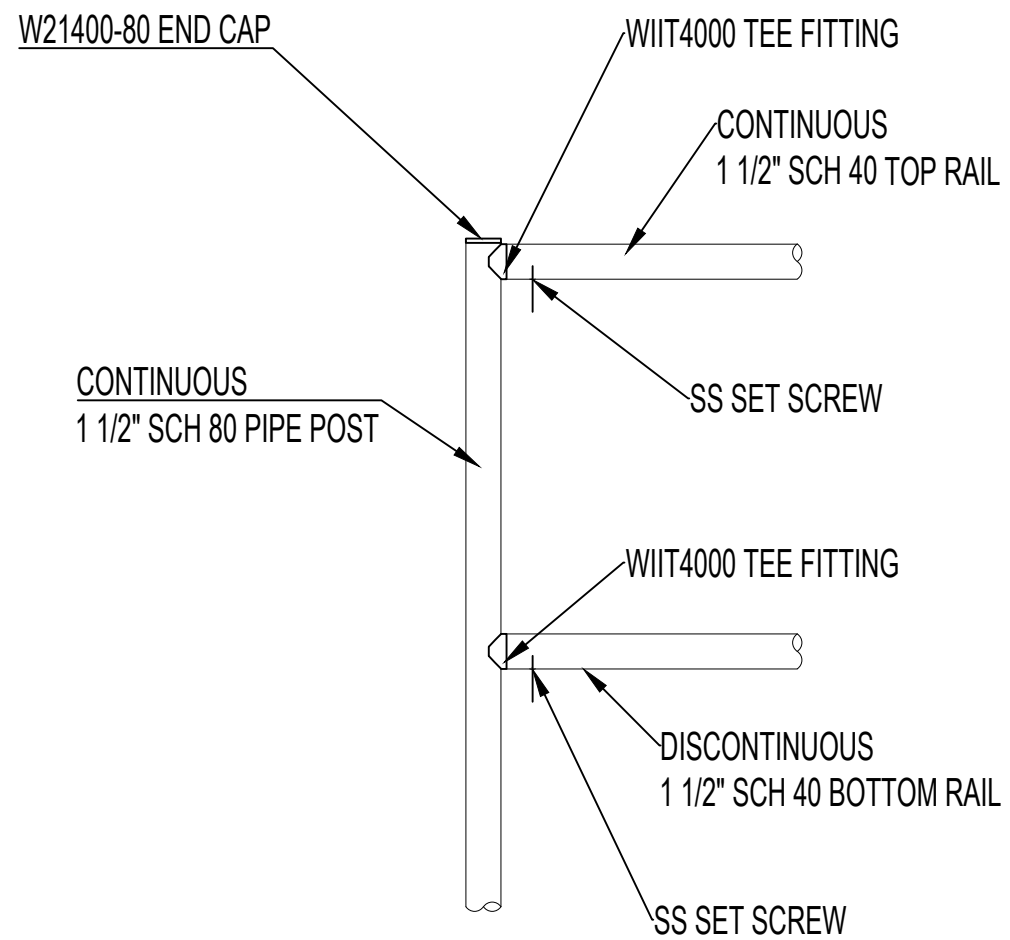
LINE POST AND RAIL INTERSECTION

WESRAIL
COMPONENT SYSTEM

MOULTRIE RAIL SYSTEM
1403 GA. HIGHWAY 133 SOUTH
MOULTRIE, GEORGIA 31768
PHONE: (800) 841-8674

ALL IDEAL DESIGN ARRANGEMENTS AND PLANS INDICATED OR REPRESENTED BY THIS DRAWING ARE OWNED BY AND THE PROPERTY OF THIS OFFICE AND WERE CREATED, EVALUATED AND DEVELOPED FOR USE ON AND IN CONNECTION WITH THE SPECIFIED PROJECT. NONE OF SUCH IDEAL DESIGN ARRANGEMENTS OR PLANS SHALL BE USED BY OR DISCLOSED TO ANY PERSON, FIRM OR CORPORATION FOR ANY PURPOSE WHATSOEVER WITHOUT THE WRITTEN PERMISSION OF MOULTRIE MANUFACTURING COMPANY.

REV.	DATE:	BY:	POST MATERIAL:	FINISH:	CUSTOMER:
"A"			1 1/2" SCH. 80 ALUMINUM PIPE (1.89)	N/A	N/A
"B"			RAIL MATERIAL: 1 1/2" SCH. 40 ALUMINUM PIPE (1.89)	MOUNTING:	PROJECT: TYP WII ASSEMBLED RAIL SECTION DETAIL
"C"			RAIL MATERIAL: NOT REQ'D	KICKPLATE: N/A	P.O. NO: N/A DATE: 01/20/2017
"D"			H/RAIL MATERIAL: 1 1/2" OD ALUMINUM TUBE	FAB. TYPE: COMPONENT SYSTEM (WESRAIL II)	DWG. BY: GSS SCALE: SHT: 13 OF - 18
			PICKET MATERIAL:	NOTE: COMPONENTS FABRICATED FROM ALUM. 6105 - T5	FILE NAME: LINE POST AND RAIL INTERSECTION



END POST AND RAIL INTERSECTION

WESRAIL
COMPONENT SYSTEM

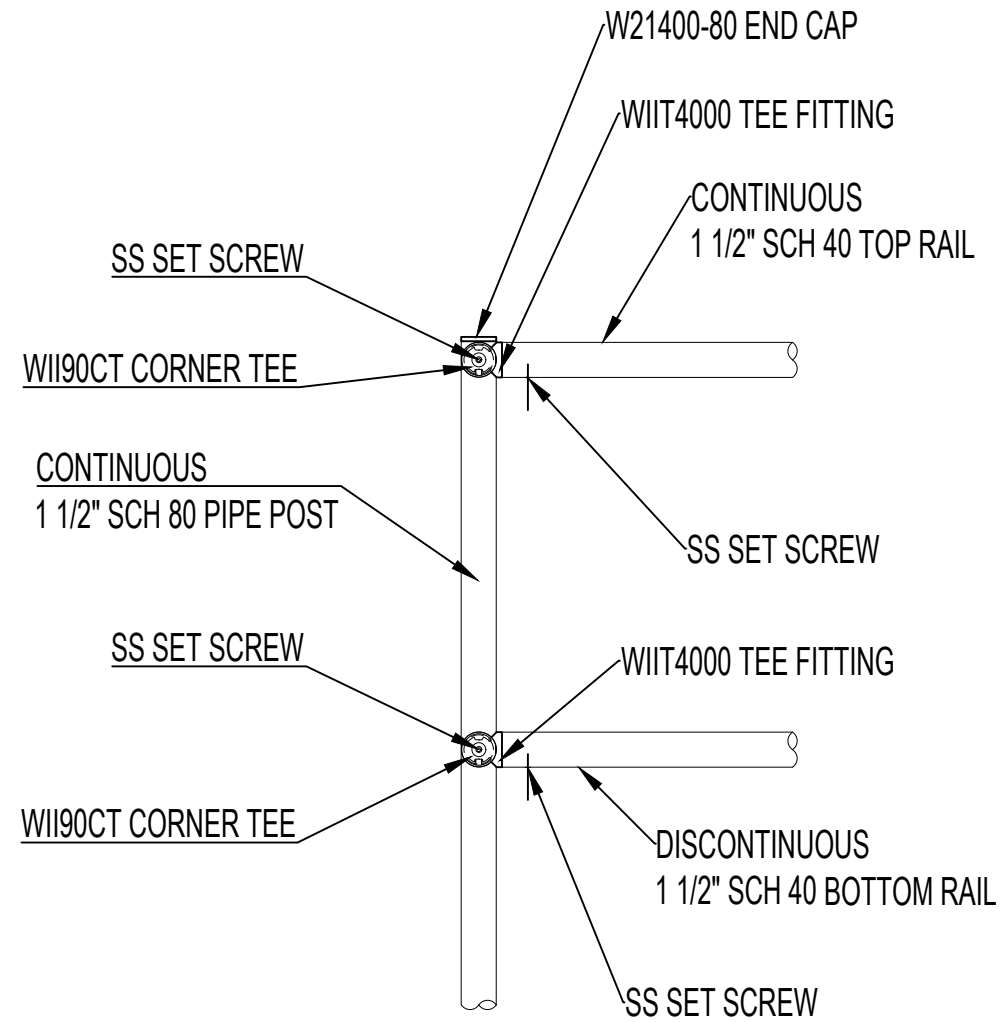
MOULTRIE RAIL SYSTEM
1403 GA. HIGHWAY 133 SOUTH
MOULTRIE, GEORGIA 31768
PHONE: (800) 841-8674

ALL IDEAL DESIGN ARRANGEMENTS AND PLANS INDICATED OR REPRESENTED BY THIS DRAWING ARE OWNED BY AND THE PROPERTY OF THIS OFFICE AND WERE CREATED, EVALUATED AND DEVELOPED FOR USE ON AND IN CONNECTION WITH THE SPECIFIED PROJECT. NONE OF SUCH IDEAL DESIGN ARRANGEMENTS OR PLANS SHALL BE USED BY OR DISCLOSED TO ANY PERSON, FIRM OR CORPORATION FOR ANY PURPOSE WHATSOEVER WITHOUT THE WRITTEN PERMISSION OF MOULTRIE MANUFACTURING COMPANY.

REV.	DATE:	BY:	POST MATERIAL:
"A"			1 1/2" SCH. 80 ALUMINUM PIPE (1.89)
"B"			RAIL MATERIAL: 1 1/2" SCH. 40 ALUMINUM PIPE (1.89)
"C"			RAIL MATERIAL: NOT REQ'D
"D"			HRAIL MATERIAL: 1 1/2" OD ALUMINUM TUBE
			PICKET MATERIAL:

FINISH:	N/A
MOUNTING:	
KICKPLATE:	N/A
FAB. TYPE:	COMPONENT SYSTEM (WESRAIL II)
NOTE:	COMPONENTS FABRICATED FROM ALUM. 6105 - T5

CUSTOMER:	N/A		
PROJECT:	TYP WII ASSEMBLED RAIL SECTION DETAIL		
P.O. NO.:	N/A	DATE:	01/20/2017
DWG. BY:	GSS	SCALE:	SHT: 14 OF - 18
FILE NAME:	END POST AND RAIL INTERSECTION		



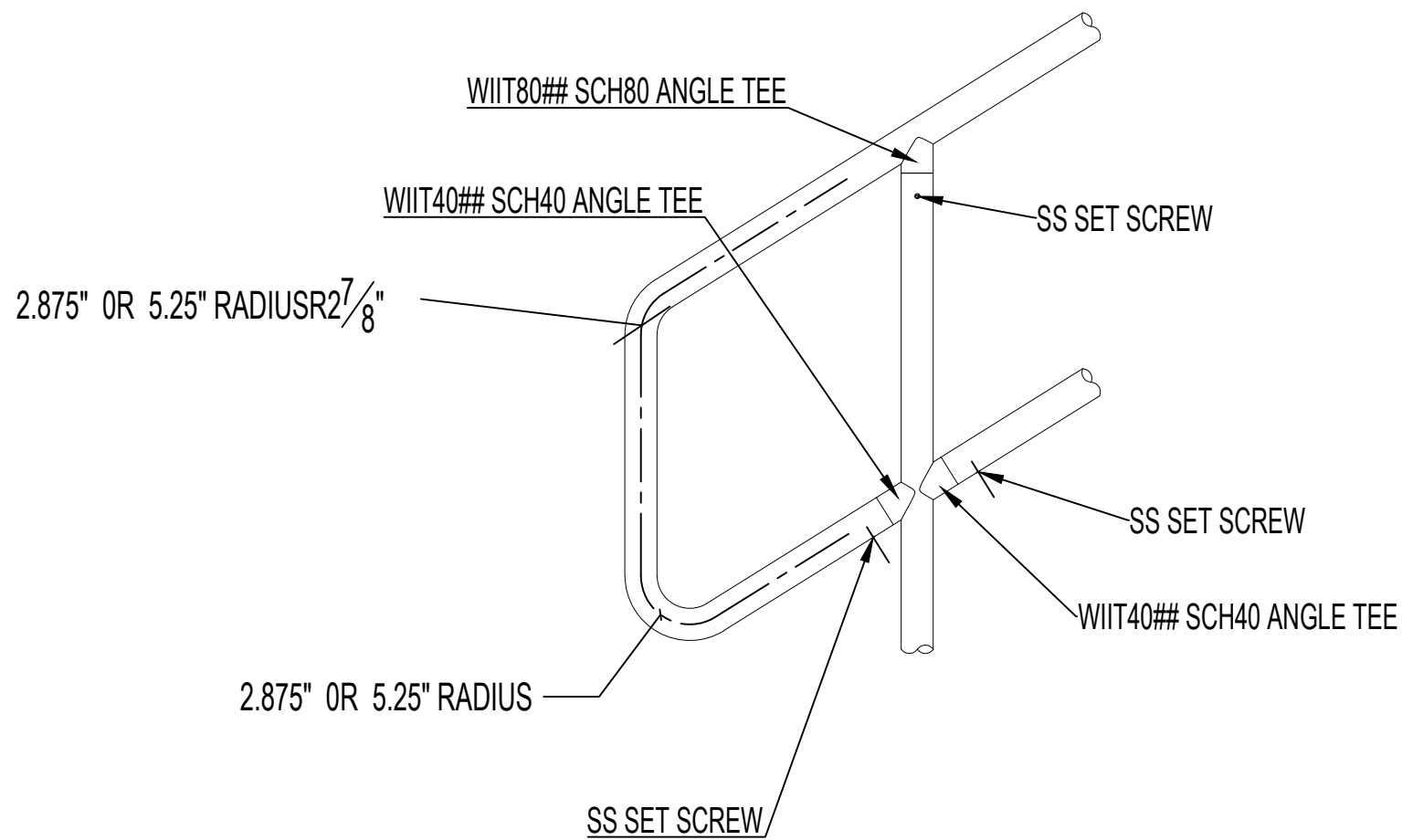
CORNER POST AND RAIL INTERSECTION

WESRAIL
COMPONENT SYSTEM

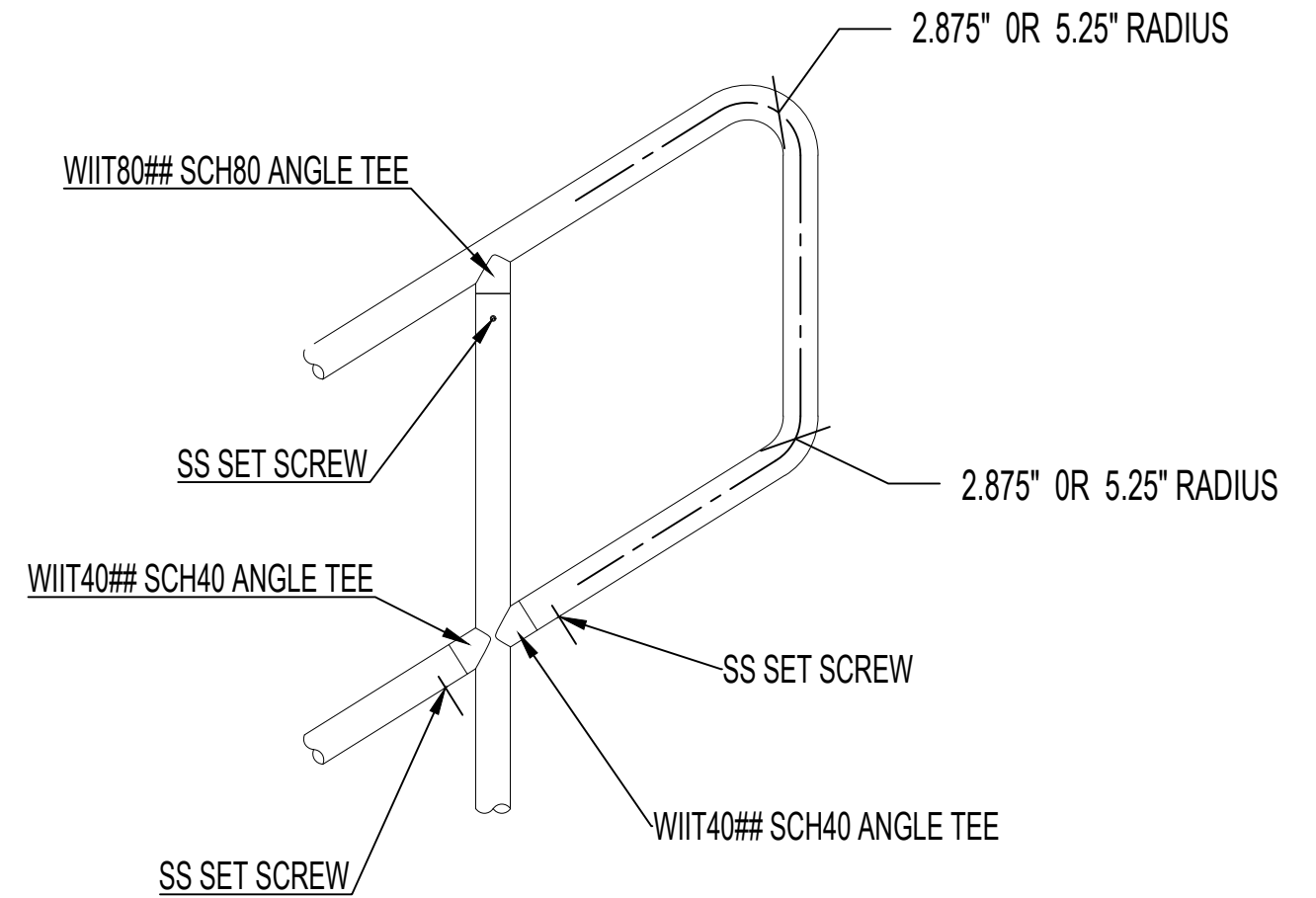
MOULTRIE RAIL SYSTEM
1403 GA. HIGHWAY 133 SOUTH
MOULTRIE, GEORGIA 31768
PHONE: (800) 841-8674

ALL IDEAL DESIGN ARRANGEMENTS AND PLANS INDICATED OR REPRESENTED BY THIS DRAWING ARE OWNED BY AND THE PROPERTY OF THIS OFFICE AND WERE CREATED, EVALUATED AND DEVELOPED FOR USE ON AND IN CONNECTION WITH THE SPECIFIED PROJECT. NONE OF SUCH IDEAL DESIGN ARRANGEMENTS OR PLANS SHALL BE USED BY OR DISCLOSED TO ANY PERSON, FIRM OR CORPORATION FOR ANY PURPOSE WHATSOEVER WITHOUT THE WRITTEN PERMISSION OF MOULTRIE MANUFACTURING COMPANY.

REV.	DATE:	BY:	POST MATERIAL:	FINISH:	CUSTOMER:
"A"			1 1/2" SCH. 80 ALUMINUM PIPE (1.89)	N/A	N/A
"B"			RAIL MATERIAL: 1 1/2" SCH. 40 ALUMINUM PIPE (1.89)	MOUNTING:	PROJECT: TYP WII ASSEMBLED RAIL SECTION DETAIL
"C"			RAIL MATERIAL: NOT REQ'D	KICKPLATE: N/A	P.O. NO: N/A DATE: 01/20/2017
"D"			H/RAIL MATERIAL: 1 1/2" OD ALUMINUM TUBE	FAB. TYPE: COMPONENT SYSTEM (WESRAIL II)	DWG. BY: GSS SCALE: SHT: 15 OF - 18
			PICKET MATERIAL:	NOTE: COMPONENTS FABRICATED FROM ALUM. 6105 - T5	FILE NAME: CORNER POST AND RAIL INTERSECTION

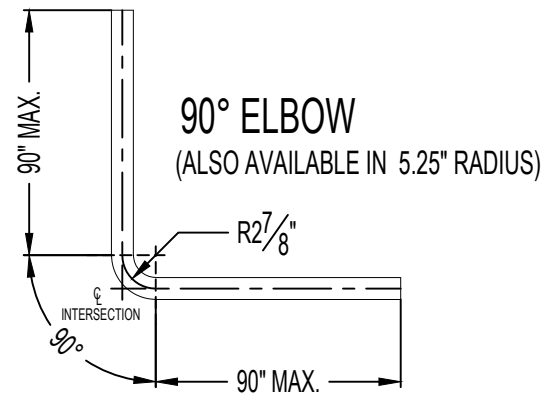


STAIR AND LOWER POST INTERSECTION

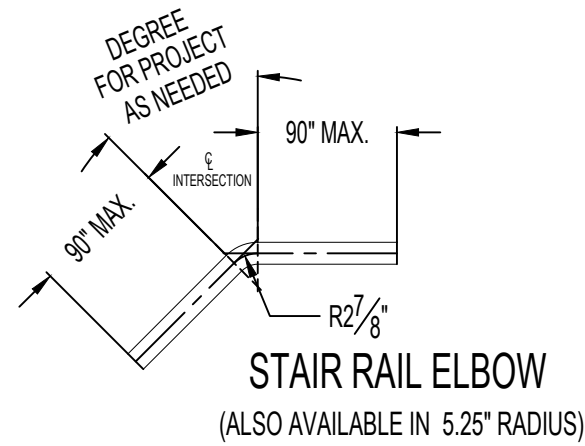


STAIR AND UPPER POST INTERSECTION

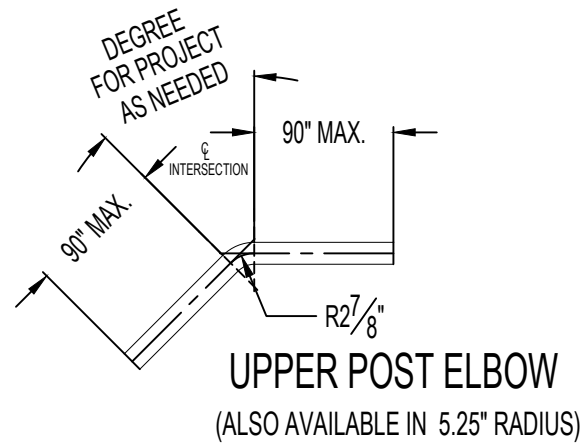
REV.	DATE:	BY:	POST MATERIAL:	FINISH:	CUSTOMER:
"A"			1 1/2" SCH. 80 ALUMINUM PIPE (1.89)	N/A	N/A
"B"			RAIL MATERIAL: 1 1/2" SCH. 40 ALUMINUM PIPE (1.89)	MOUNTING:	PROJECT: TYP WII ASSEMBLED RAIL SECTION DETAIL
"C"			RAIL MATERIAL: NOT REQ'D	KICKPLATE: N/A	P.O. NO: N/A DATE: 01/20/2017
"D"			H/RAIL MATERIAL: 1 1/2" OD ALUMINUM TUBE	FAB. TYPE: COMPONENT SYSTEM (WESRAIL II)	DWG. BY: GSS SCALE: SHT: 16 OF - 18
			PICKET MATERIAL:	NOTE: COMPONENTS FABRICATED FROM ALUM. 6105 - T5	FILE NAME: STAIR UPPER & LOWER POST AND RAIL INTERSECTION



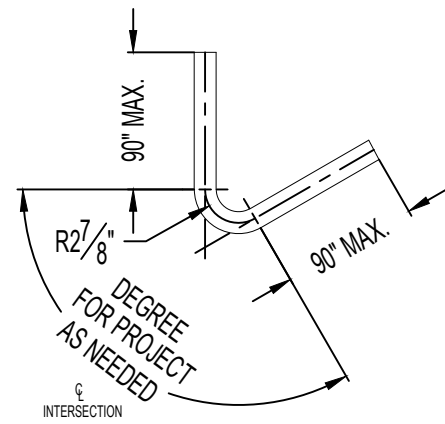
90° ELBOW
(ALSO AVAILABLE IN 5.25" RADIUS)



STAIR RAIL ELBOW
(ALSO AVAILABLE IN 5.25" RADIUS)



UPPER POST ELBOW
(ALSO AVAILABLE IN 5.25" RADIUS)



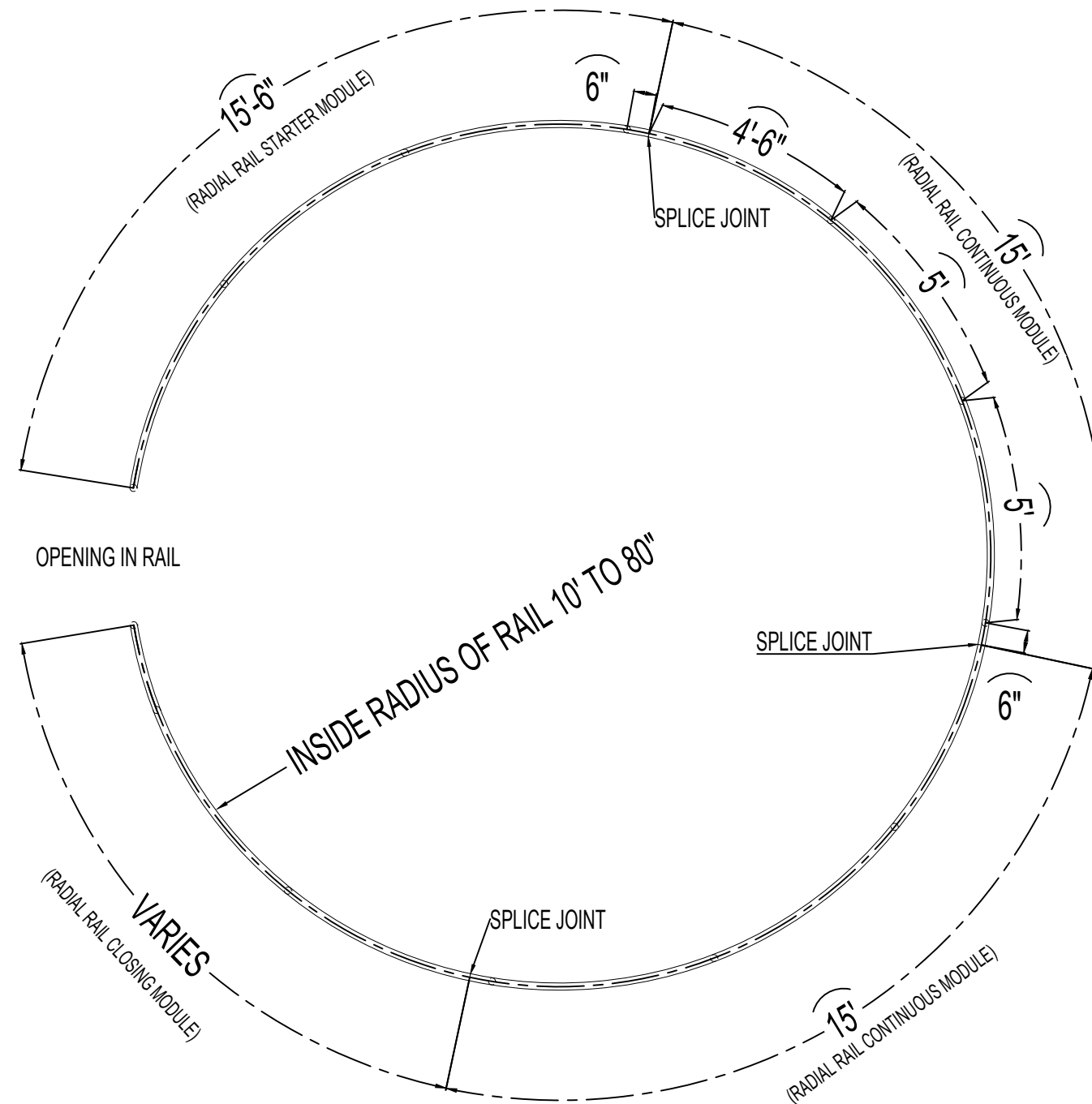
LOWER POST ELBOW
(ALSO AVAILABLE IN 5.25" RADIUS)

WESRAIL
COMPONENT SYSTEM

MOULTRIE RAIL SYSTEM
1403 GA. HIGHWAY 133 SOUTH
MOULTRIE, GEORGIA 31768
PHONE: (800) 841-8674

ALL IDEAL DESIGN ARRANGEMENTS AND PLANS INDICATED OR REPRESENTED BY THIS DRAWING ARE OWNED BY AND THE PROPERTY OF THIS OFFICE AND WERE CREATED, EVALUATED AND DEVELOPED FOR USE ON AND IN CONNECTION WITH THE SPECIFIED PROJECT. NONE OF SUCH IDEAL DESIGN ARRANGEMENTS OR PLANS SHALL BE USED BY OR DISCLOSED TO ANY PERSON, FIRM OR CORPORATION FOR ANY PURPOSE WHATSOEVER WITHOUT THE WRITTEN PERMISSION OF MOULTRIE MANUFACTURING COMPANY.

REV.	DATE:	BY:	POST MATERIAL:	FINISH:	CUSTOMER:
"A"			1 1/2" SCH. 80 ALUMINUM PIPE (1.89)	N/A	N/A
"B"			RAIL MATERIAL: 1 1/2" SCH. 40 ALUMINUM PIPE (1.89)	MOUNTING:	PROJECT: TYP WII ASSEMBLED RAIL SECTION DETAIL
"C"			RAIL MATERIAL: NOT REQ'D	KICKPLATE: N/A	P.O. NO: N/A DATE: 01/20/2017
"D"			H/RAIL MATERIAL: 1 1/2" OD ALUMINUM TUBE	FAB. TYPE: COMPONENT SYSTEM (WESRAIL II)	DWG. BY: GSS SCALE: SHT: 17 OF - 18
			PICKET MATERIAL:	NOTE: COMPONENTS FABRICATED FROM ALUM. 6105 - T5	FILE NAME: BASIC ELBOWS IN RAIL



RADIAL RAILING

ALL MEASUREMENTS ARE CENTERLINE TO CENTERLINE

WESRAIL
COMPONENT SYSTEM

MOULTRIE RAIL SYSTEM
1403 GA. HIGHWAY 133 SOUTH
MOULTRIE, GEORGIA 31768
PHONE: (800) 841-8674

ALL IDEAL DESIGN ARRANGEMENTS AND PLANS INDICATED OR REPRESENTED BY THIS DRAWING ARE OWNED BY AND THE PROPERTY OF THIS OFFICE AND WERE CREATED, EVALUATED AND DEVELOPED FOR USE ON AND IN CONNECTION WITH THE SPECIFIED PROJECT. NONE OF SUCH IDEAL DESIGN ARRANGEMENTS OR PLANS SHALL BE USED BY OR DISCLOSED TO ANY PERSON, FIRM OR CORPORATION FOR ANY PURPOSE WHATSOEVER WITHOUT THE WRITTEN PERMISSION OF MOULTRIE MANUFACTURING COMPANY.

REV.	DATE:	BY:	POST MATERIAL:	FINISH:	CUSTOMER:
"A"			1 1/2" SCH. 80 ALUMINUM PIPE (1.89)	N/A	N/A
"B"			RAIL MATERIAL: 1 1/2" SCH. 40 ALUMINUM PIPE (1.89)	MOUNTING:	PROJECT: TYP WII ASSEMBLED RAIL SECTION DETAIL
"C"			RAIL MATERIAL: NOT REQ'D	KICKPLATE: N/A	P.O. NO: N/A DATE: 01/20/2017
"D"			H/RAIL MATERIAL: 1 1/2" OD ALUMINUM TUBE	FAB. TYPE: COMPONENT SYSTEM (WESRAIL II)	DWG. BY: GSS SCALE: SHT: 18 OF - 18
			PICKET MATERIAL:	NOTE: COMPONENTS FABRICATED FROM ALUM. 6105 - T5	FILE NAME: BASIC RADIAL RAIL